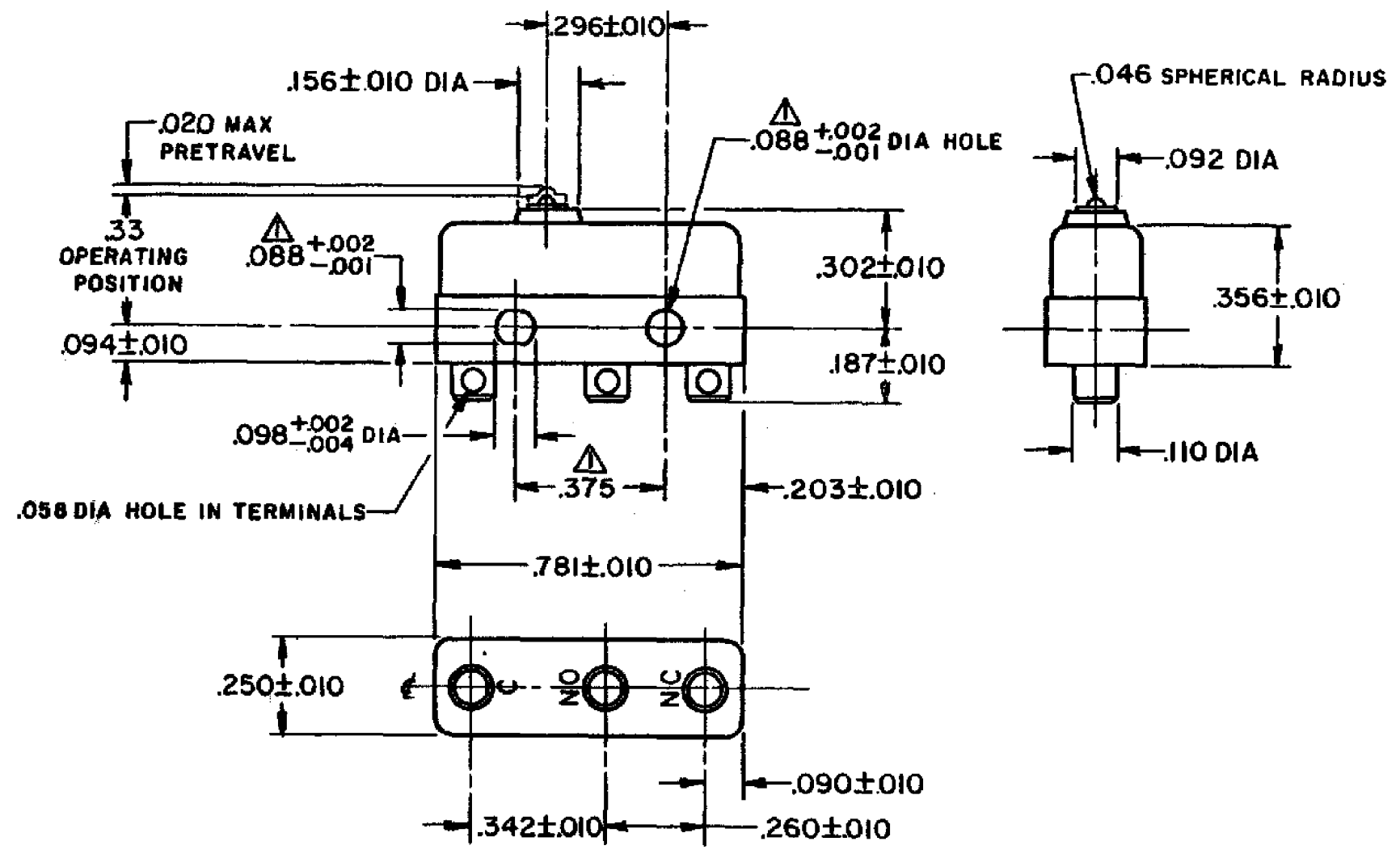
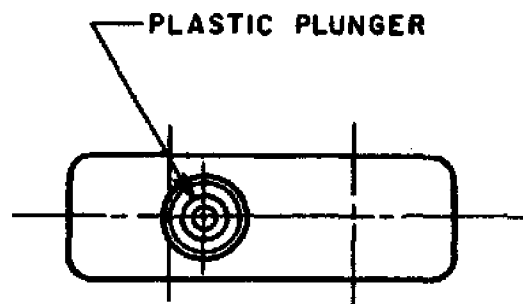


HONEYWELL PART NUMBER
11SM1
PRODUCT CODE TWT0100
JG-80176

REV	DOCUMENT	CHANGED BY	CHECK
11	0038090	VS 28APR08	BLR



NOTE -
 ▲-MOUNTING HOLES WILL ACCEPT PINS OR SCREWS OF $.087$ MAX DIA ON $.375 \pm .002$ CENTERS
 2-TERMINALS ARE PLATED FOR SOLDERING

RELEASE NO.	-
REPLACES	-

CHARACTERISTICS	
OPERATING FORCE - - - - -	3 - 5 OZ
RELEASE FORCE - - - - -	1 OZ MIN
DIFFERENTIAL TRAVEL - - -	.004 MAX
OVERTRAVEL - - - - -	.005 MIN

ELECTRICAL DATA		
CONTACT ARRANGEMENT SPDT		
30 VOLTS DC RATING		
	SEA LEVEL	50,000 FT
INDUCTIVE	3 AMP	2.5 AMP
RESISTIVE	5 AMP	5 AMP
MAXIMUM INRUSH 24 AMP		
APPROVALS	KEMA, CE	5A, 250V ~ T85 1E4
	UL, CSA	5A, 250 VAC ~

DESIGN UNITS: INCH
TOLERANCES UNLESS NOTED:
NO PLACE X ±
ONE PLACE .X ±
TWO PLACE .XX ±
THREE PLACE .XXX ±
FOUR PLACE .XXXX ±
ANGLES ±
THIRD ANGLE PROJECTION

DRAWN	VK	29 NOV 07
CHECK	RJ	29 NOV 07
THIS DRAWING COVERS A PROPRIETARY ITEM AND IS THE PROPERTY OF HONEYWELL. THIS DRAWING IS NOT TO BE COPIED OR USED WITHOUT THE PERMISSION OF HONEYWELL.		
INTERPRET PER ANSI Y14.5M-1982 OTHER HONEYWELL ENGINEERING STANDARDS MAY APPLY		
RASTER		

Honeywell			
TITLE SWITCH - BASIC			
SIZE	TYPE	DRAWING NAME	REV
B	I	11SM1	11
SCALE	-	WEIGHT .006 LB MAX	SHEET 1 OF 1